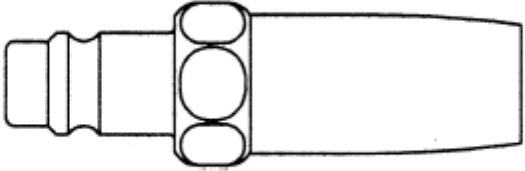


TECHNICAL SHEET
RJE 21 – Rubber Jet with Orion connector

Picture	
Limits	Maximum pressure 10 bar
How to use?	The air jet can be easily regulated by turning the rubber part
Connection	Male coupling NW 7,2
Used materials	Air blow piece with male connector – Messing chromed valve – Messing tube O-ring

The above information is given in good faith, but the user should assure himself that the performance of the product is sufficient for his application. The quoted values are average and should not be taken as maximum or minimum values for specific purposes. Chemicar Europe cannot be held responsible for product failure unless full testing has been carried out. The client has to decide on the products suitability for their own applications.